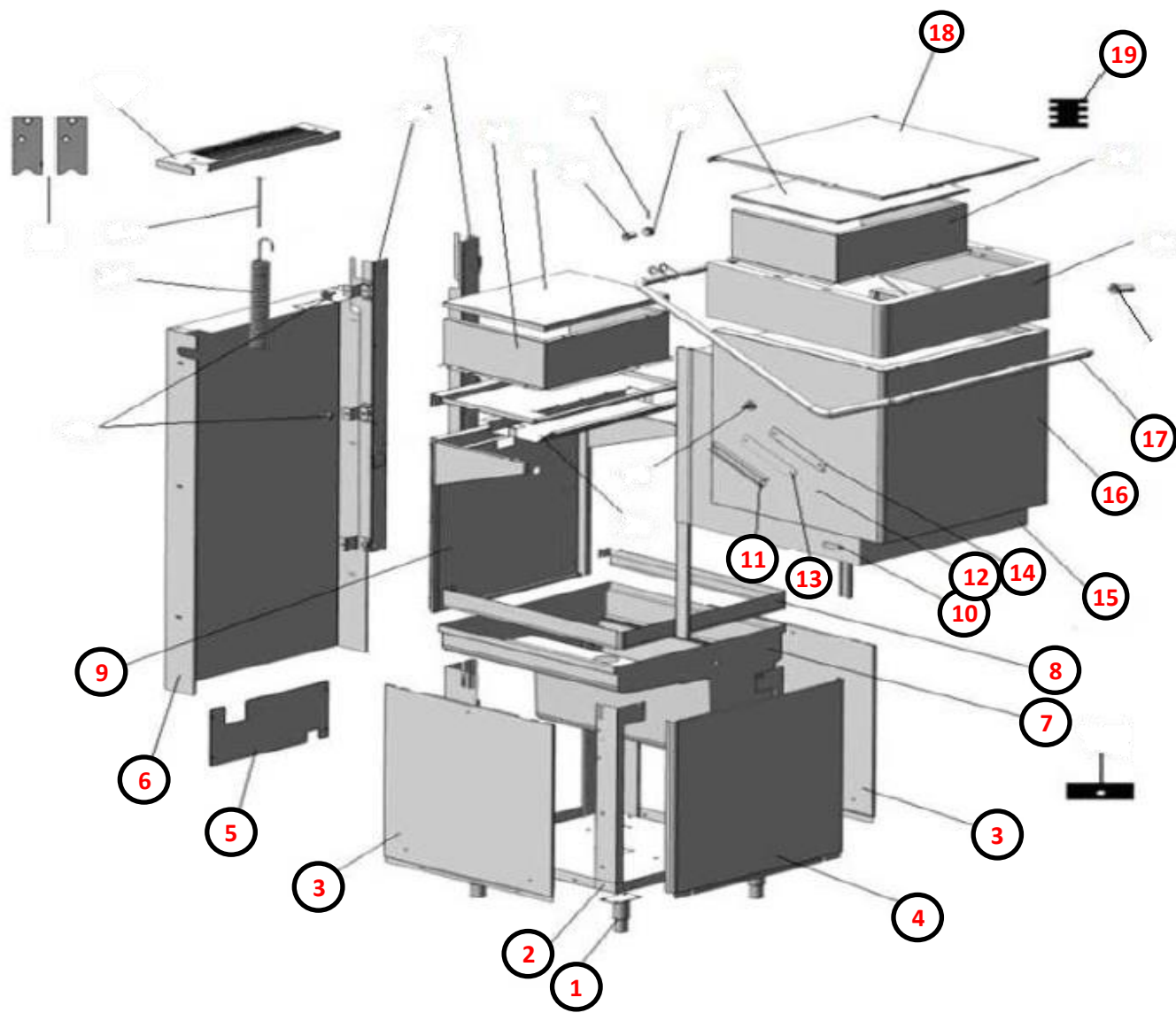


# GHW1300SRSW

POS	CODE	DESCRIPTION	DESCRIPTION	QTA
1	P1 (3)	PANNELLERIA	FRAME	1
2	P1 (4)	PANNELLERIA	FRAME	1
3	P2	RISCIACQUO	RINSE	1
4	P3 (4)	LAVAGGIO	WASH	1
5	P3 (5)	LAVAGGIO	WASH	1
6	P4 (2)	GIRANTI	ARMS	1
7	P5 (2)	CABLAGGIO	WIRING	1
8	O1	DOSATORI	DISPENSER	1



POS	CODE	DESCRIZIONE	DESCRIPTION	NR
1	TR0861	PIEDE 1"1/2"	LEG 1"1/2"	4
2	901398	BASAMENTO CAPOTE MONOPEZZO APERTO SLIM	STAND CAPOT ONE-PIECE OPEN SLIM	1
3	908652	PANN. LAT. N1000/N1300 DX-SX	SIDE PANEL N1000/N1300 RH/LH	2
4	952010	PANNELLO COMANDI N1000-N1300 EVO 3	CONTROL PANEL N1000-N1300 EVO 3	1
5	908670	PANN. POST. INF. N1000/N1300/N1000B/N1300	LOWER BACK PANEL N1000/N1300/N1000B/N1300	1
6	902669	PANN. POST. CAPOTE CRV COM. INF. 2019	BOTTOM BACK PANEL CRV CAPOT COMPLETE 2019	1
7	900879	VASCA N1300 STAMPATA PER RESISTENZA DA 4800W	MOULDED TANK N1300 FOR HEATING ELEMENT 4800W	1
8	908397	FASCIA COPERTURA VASCA CAPOTE 2015	COVERING TANK BAND HOOD TYPE 2015	1
9	901846	SCHIENALE CAPOTE "CRV" 2015	BACK PANEL HOOD TYPE CRV 2015	1
10	908706	MAGNETE + CUSTODIA CAPOT/LP57	MAGNET + CONTAIER HOOD TYPE/LP57	1
11	908511	GUIDA MANIGLIONE N1000/N1300/NE	GUIDE HANDLE N1000/N1300/NE	2
12	908726	DISTANZIALE CAPOT N1000/N1300	HOOD TYPE SPACER N1000/N1300	2
13	901606	GUARN. SUPP. MANIGLIONE CAPOTE	HANDLE-SUPPORT GASKET HOOD TYPE	2
14	901607	DISTANZIALE SUPPORTO MANIGLIONE CAPOTE	HANDLE SUPPORT SPACER HOOD	2
15	908013	CAPPOTTA N1000/N1300 CRV 2015	HOOD N1000/N1300 HEAT RECOVERY SYSTEM "CRV" 2015	1
16	951609	FASCIA COIBENT. CAPOT N1000-N1300 CRV COMANDI IN BASSO	INSULATED BAND HOOD TYPE N1000/N1300 CRV LOWER CONTROL PANEL	1
17	909046	MANIGLIONE N1000/N1300 COMPL.	HANDLE N1000/N1300 COMPLETE	1
18	900202	CAPPELLO COIBENT. CAPOTE EVO 2 CRV	INSULATED TOP PANEL EVO2 CRV FOR HOOD TYPE	1
19	909101	COPRITESTA MANIGLIONE Ø25	HANDLE CAP Ø25	2



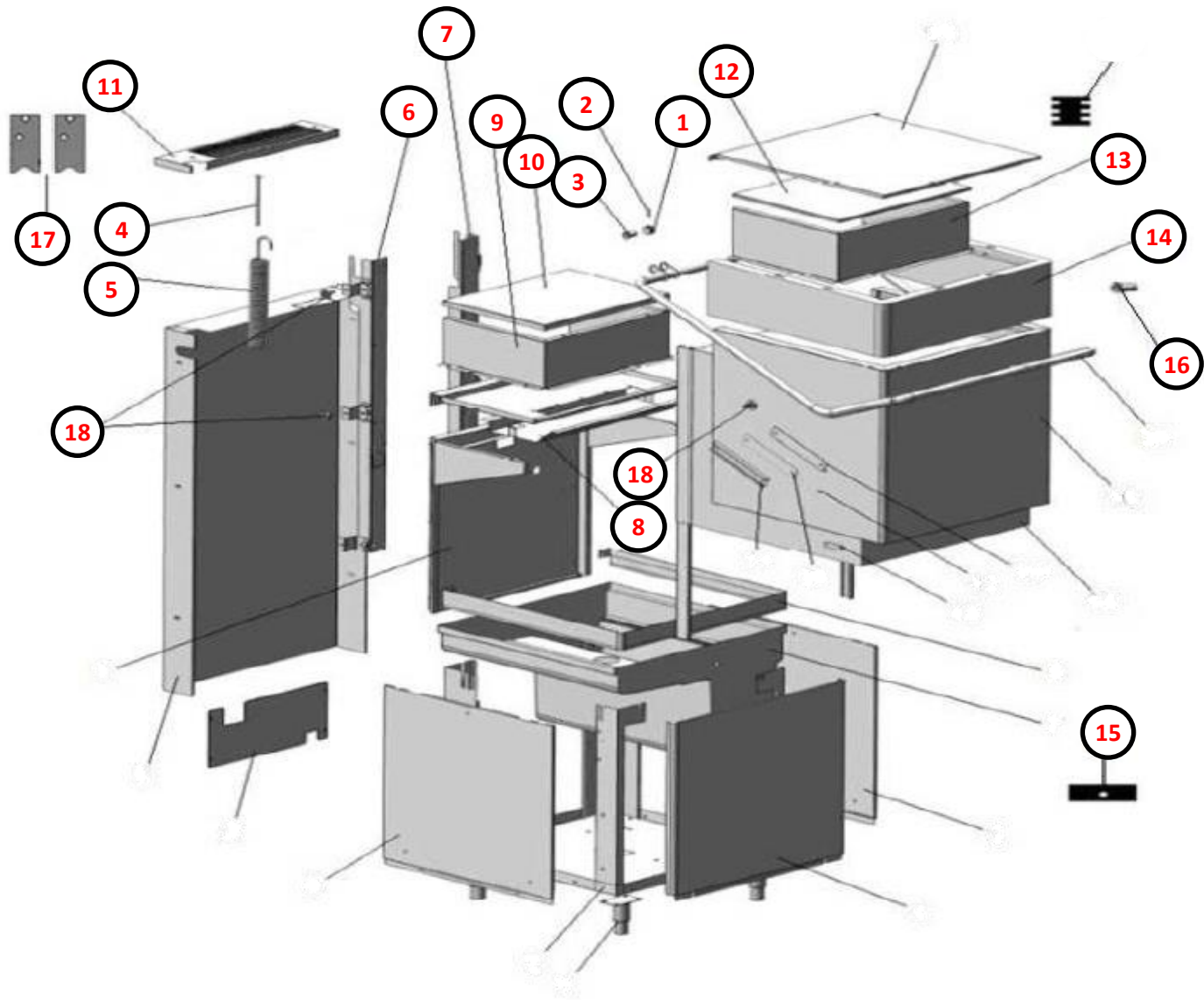
26

27

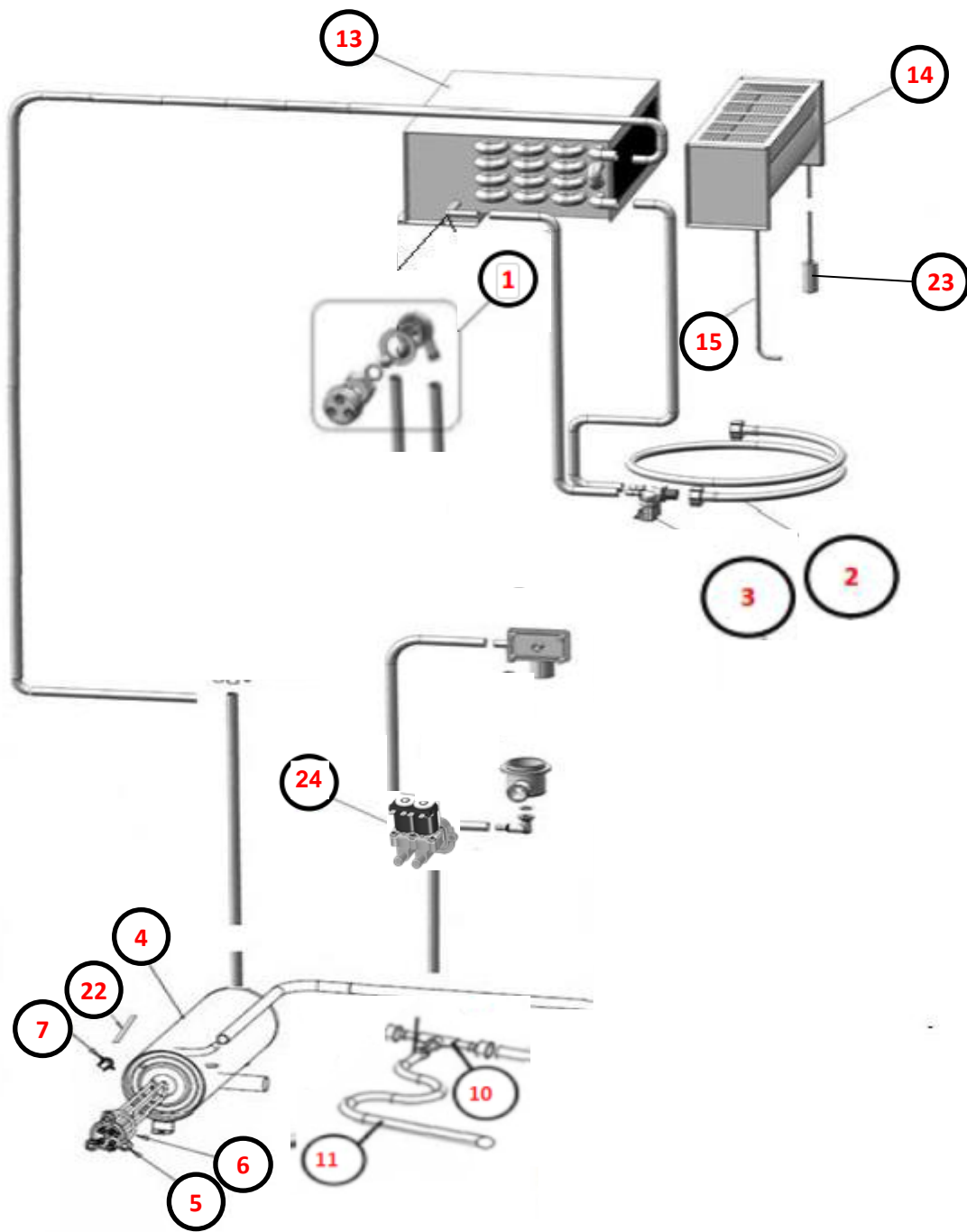
28

POS	CODE	DESCRIZIONE	DESCRIPTION	NR
1	906066	ROTELLA SUPP. MOLLA E1000/N1000/N1300	SUPPORT SPRING WHEEL E1000/N1000/N1300	2
2	907773	COPIGLIA 2X30	SPLIT PIN 2X30	2
3	904796	PERNO ROTELLA SOLLEV. E1000/N1000/N1300	PIVOT FOR RAISING HOOD E1000/N1000/N1300	2
4	907315	TIRANTE FILETTATO 10X350MM	THREADED TIE-ROD 10X350MM	2
5	904138	MOLLA SOLLEV. CAPOT N1300 MOD CRV	SPRING RAISING CAPOT N1300 MOD CRV	2
6	950991	LONGHERONE DX N1000-N1300 2014	METAL STRUT RH N1000-N1300 2014	1
7	950992	LONGHERONE SX N1000-N1300 2014	METAL STRUT LH N1000-N1300 2014	1
8	908068	PARATIA INT. CONDOTTO CRV N1300 2013	INSIDE BULKHEAD CRV DUCT N1300 2013	1
9	952853	FASCIA COPERTURA GRUPPO CRV 2013	COVERING BAND FOR HEAT RECOVERY SYSTEM 2013	1
10	908072	CAPPELLO COPERTURA GRUPPO CRV 2013	TOP COVERING PANEL HEAT RECOVERY SYSTEM 2013	1
11	900205	COPERTURA DI SFIATO EVO2 CRV	VENT COVERING EVO2 CRV	1
12	950712	CAPPELLO FASCIA INT. COPERT. CAPOTE N1300	TOP PANEL FOR INSIDE COVERING BAND N1300	1
13	900859	FASCIA INTERNA COPERTURA CAPOTE CRV 2016	INSIDE COVERING BAND HOOD TYPE CRV 2016	1
14	908071	FASCIA INT. COPERTURA CAPOT N1000-N1300	INSIDE COVER TANK HOOD TYPE N1000-1300	1
15	905038	AMMORTIZZATORI 29X20 T	RACK-CONVEYOR SHOCK ABSORBER 29X20	2
16	905448	FERMO CAPOTE	HOOD STOP HOOD TYPE	2
17	954752	PIASTR. LONGHERONE TIRAGGIO MOLLE	METAL STRUT PLATE FOR SPRINGS TIGHTENING	2
18	908704	CUSCINETTO CON PERNO N1000/N1300/LP	BEARING WITH PIVOT N1000/N1300/LP	6

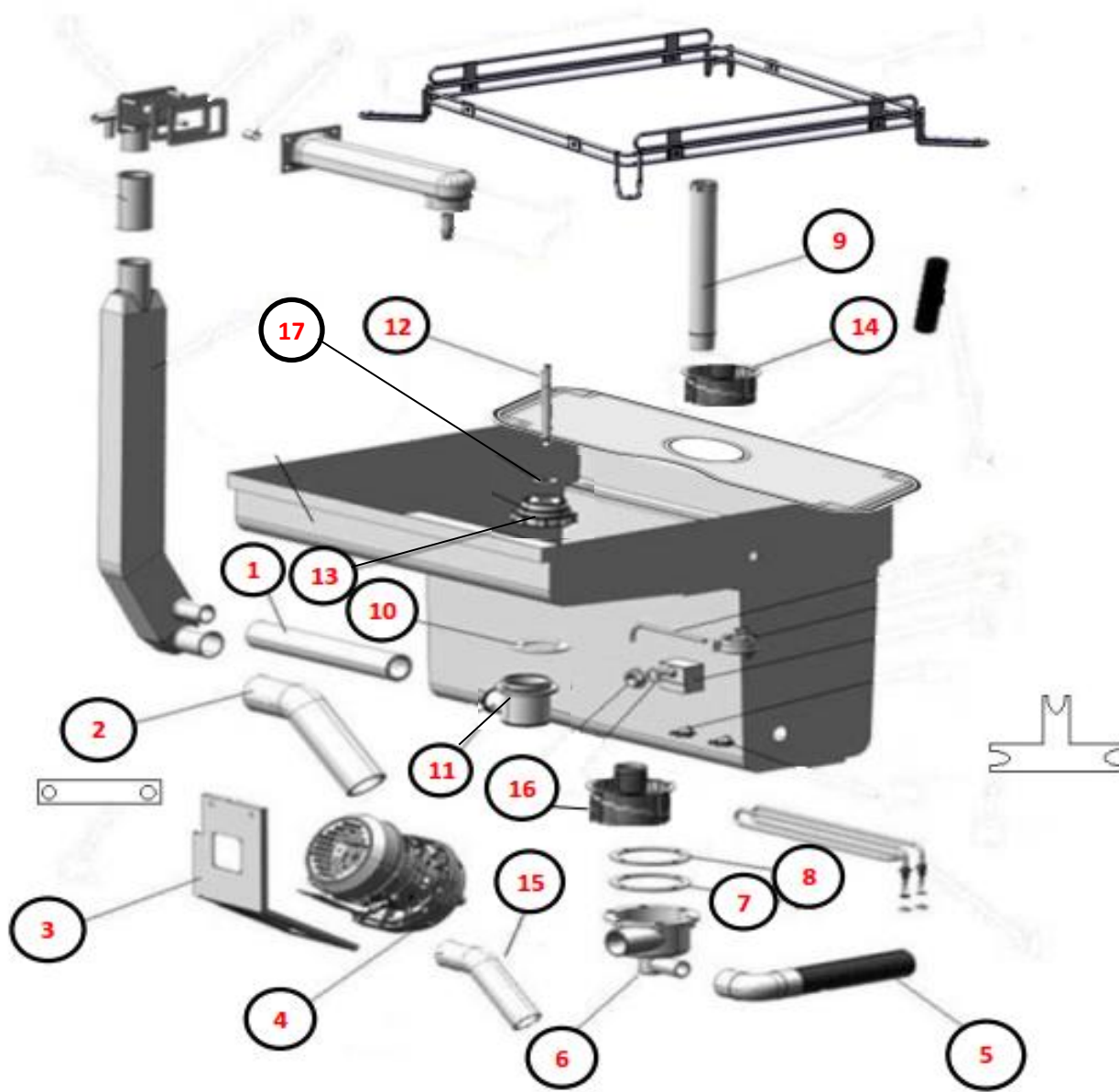




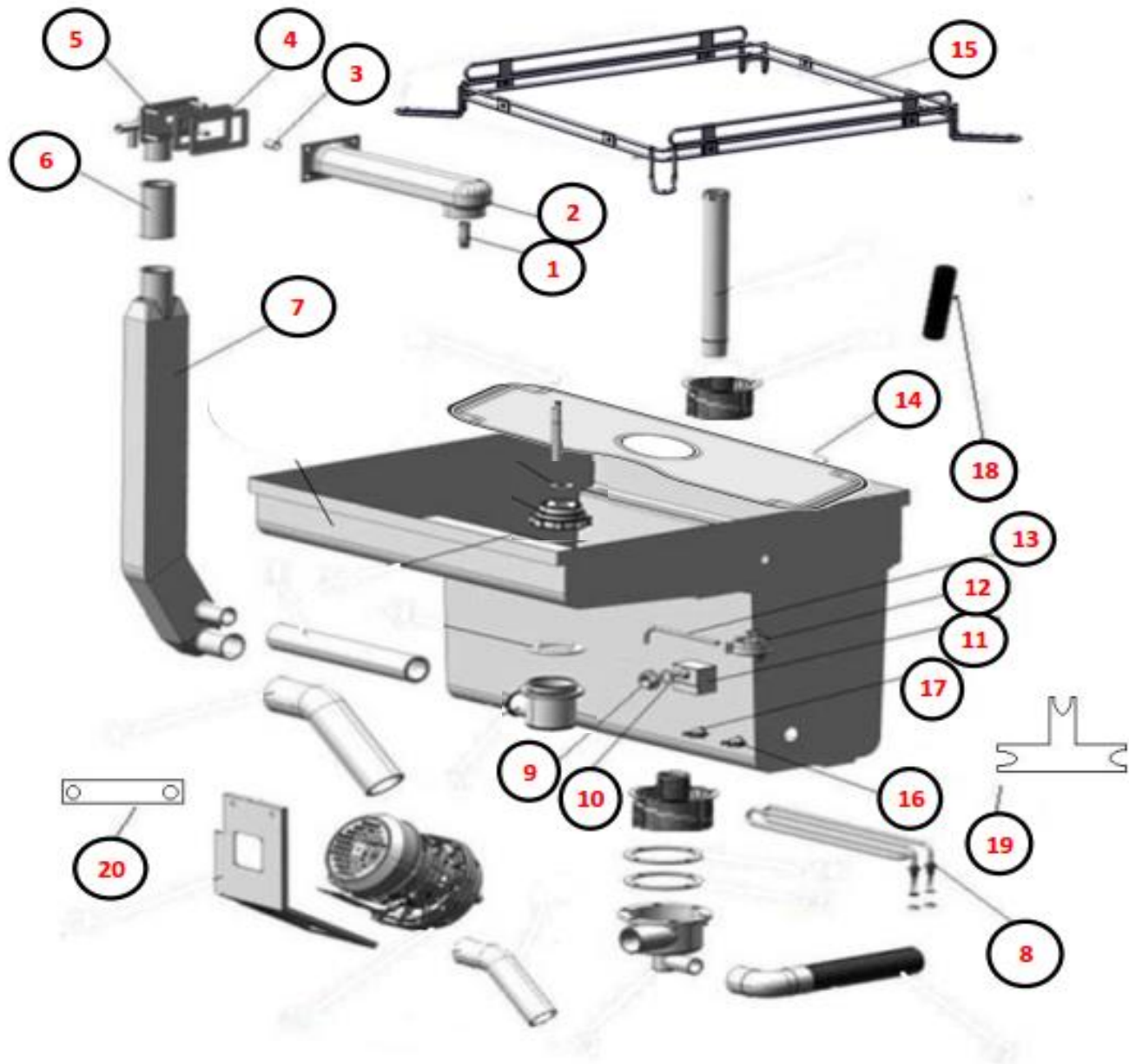
POS	CODE	DESCRIZIONE	DESCRIPTION	NR
1	TR2433	VALVOLA ANTIRITORNO	NON-RETURN VALVE	1
2	907347	TUBO CARICO 90° 2000MM S 800 HW	WATER LOAD HOSE 90° 2000MM S 800 HW	1
3	9024390	ELETTROV. 1 VIE Ø10	1-WAYS SOLENOID VALVE Ø10	1
4	900445	BOILER B 7LT. 2015	BOILER B 7LT. 2015	1
5	905570	RESIST. BOILER 6KW 230V +OR	BOILER HEATING ELEMENT 6KW 230V +OR	1
6	907981	OR RES. 2.6/4.5/6/8 KW	OR HEATING ELEMENT 2.6/4.5/6/8 KW	1
7	907297	TERMOSTATO SICUR. 110° PASTIGLIA	SAFETY THERMOSTAT 110° PADDLE	1
10	905434	RACC. 3 VIE DOSATORE SU POMPA	THREE-WAY CONNECTION DOSING PUMP	1
11	907279	TUBO SILICONE 4X7	SILICONE HOSE 4X7	1
13	TR0061	BATTERIA RECUPERO ENERGIA CAPOT	POWER RECOVERY BATTERY - HOOD TYPE	1
14	908399	VENTILATORE CRV 0.05KW CAPOT/LP	FAN CRV 0.05KW HOOD TYPE/LP	1
15	902046	TUBO CRYSTAL TRASP. 4X7	TRASPARENT HOSE 4X7	1
22	904075	LAMELLA OTTONE	BRASS PLATE	1
23	901742	CONDENSATORE VENTILATORE	CONDENSER FAN	1
24	908032	ELETTROV. 2 VIE RISC. SEQUENZIALE APERTA	2-WAY OPEN SOLENOID VALVE FOR SEQ. RINSE	1



POS	CODE	DESCRIZIONE	DESCRIPTION	NR
1	908712	MANICOTTO MANDATA INF. N1000/N1300	INLET SLEEVE LOWER N1000/N1300	1
2	903698	MANICOTTO MANDATA N1300 2014	INLET SLEEVE N1300 2014	1
3	906363	SUPP. POMPA NE1300 ECO 2014 VASCA SALDATA	PUMP SUPPORT NE1000 ECO 2014 MOULDED TANK	1
4	902286	POMPA 1.1KW 400/3/50 N1300 DX 2014	PUMP 1.1KW 400/3/50 N1300 RH 2014	1
5	907448	TUBO SCARICO Ø21-29 2000MM DRITTO	DRAIN HOSE Ø21-29 2000MM STRAIGHT	1
6	905237	POZZ. ASPIRAZ. MAGGIORATO ASP. Ø55	INCREASED SUMP Ø55	1
7	905378	GUARN. POZZETTO MAGGIORATO	INCREASED PIT GASKET	1
8	905238	FLANGIA POZZETTO MAGGIORATO ASP./SCAR.	FLANGE ASPIRATION/DRAIN SOAKAWAY	1
9	907343	TROPPO PIENO N1300 STAMPATA-SALDATA 2014	OVERFLOW CAP N1300 MOULDED-WELDED 2014	1
10	TR2448	GUARN. 2" N1300-LP-T-N SP.2MM	GASKET 2" N1300-LP-RACK/FLIGHT CONVEYOR 2MM	1
11	900049	MOZZO INF. LAV. N1300_N1300S	LOWER WASH HUB N1300_N1300S	1
12	904753	PERNO LAV. INF. N1300	LOWER-WASH-ARM PIVOT N1300	1
13	900050	GHIERA MOPLEN MOZZO INFERIORE LAV. N1300	MOPLEN FERRULE, LOWER WASH HUB N1300	1
14	904898	FILTRO SENZA CILINDRO INOX Ø98MM	FILTER WITHOUT STAINLESS-STEEL BARREL Ø98MM	1
15	903699	MANICOTTO ASP. N1300 2014	ASPIRATION SLEEVE N1300 2014	1
16	902397	FILTRO CON CILINDRO PPL H60MM Ø98MM	FILTER WITH PLASTIC BARREL H60MM Ø98MM	1
17	906001	RONDELLA RIDUZ. 42X17X1 N1300	WASHER RIDUCTION 42X17X1 N1300	1

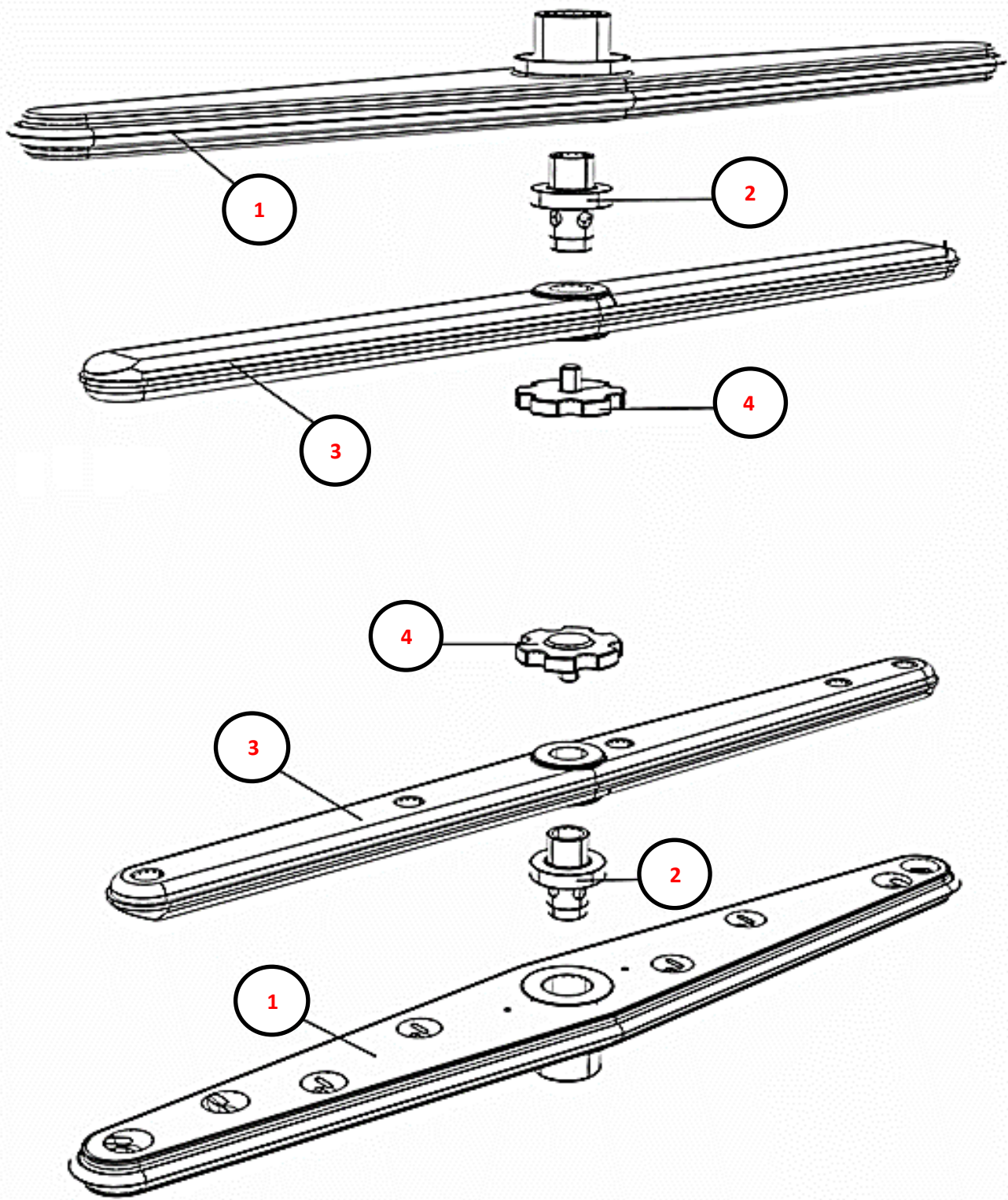


POS	CODE	DESCRIZIONE	DESCRIPTION	NR
1	904751	PERNO LAV. SUP. N1300 T.N.	PIVOT UPPER WASH N1300 RACK/FLIGHT CONVEYOR	1
2	908744	BRACCIO LAV. RISC. N1300-E1300	WASH/RINSE ARM N1300 - E1300	1
3	903379	GUARN. RACC. BRACCIO RISC.	JUNCTION GASKET RINSE ARM	1
4	903413	GUARN. ESTERNA COLONNA LAV. N1000/N1300	EXTERNAL GASKET WASH COLUMN N1000/N1300	2
5	908745	RACC. BRACCIO PPH	ARM CONNECTION PPH	1
6	903706	MANICOTTO MANDATA CAPPOTTA 120MM	INLET SLEEVE HOOD TYPE 120MM	1
7	908747	COLONNA LAV. N1000/N1300/E1000	WASH COLUMN N1000/N1300/E1000	1
8	905559	RESIST. VASCA 4.8KW 240V + OR	TANK HEATING ELEMENT 4.8KW 240V + OR	1
9	902111	GHIERA 3/8" PPL	PLASTIC FERRULE 3/8"	2
10	903260	GUARN. 3/8" TR. ARIA	GASKET 3/8", AIR TRAP	2
11	907254	TRAPPOLA ARIA N45-N50-N90-N1000-N1300	AIR TRAP N45-N50-N90-N1000-N1300	1
12	905321	PRESSOSTATO 30/135 N1300	PRESSURE SWITCH 30/135 N1300	1
13	907279	TUBO SILICONE 4X7	SILICONE HOSE 4X7	1
14	959785	FILTRO SUPERF. VASCA A FAGIOLO FORO CENTRALE	SURFACE FILTER FOR SHAPED TANK CENTRAL HOLE	1
15	908708	TELAIO PORTA CESTELLO N1000/N1300	BASKET-SUPPORT FRAME N1000/N1300	1
16	907243	TERMOSTATO SICUR. 95° PASTIGLIA	SAFETY THERMOSTAT 95° PADDLE	1
17	907244	TERMOSTATO VASCA 55° PASTIGLIA	TANK THERMOSTAT 55° PADDLE	1
18	904958	PROT. RESISTENZA VASCA IN SILICONE	TANK-HEATING ELEMENT PROTECTION SILICONE	2
19	900187	SQUADRETTA 1 TERMOSTATO PASTIGLIA 2015	BRACKET 1 KLIXON THERMOSTAT 2015	1
20	906994	SUPP. PRESSOSTATI	PRESSURE SWITCH SUPPORT	1

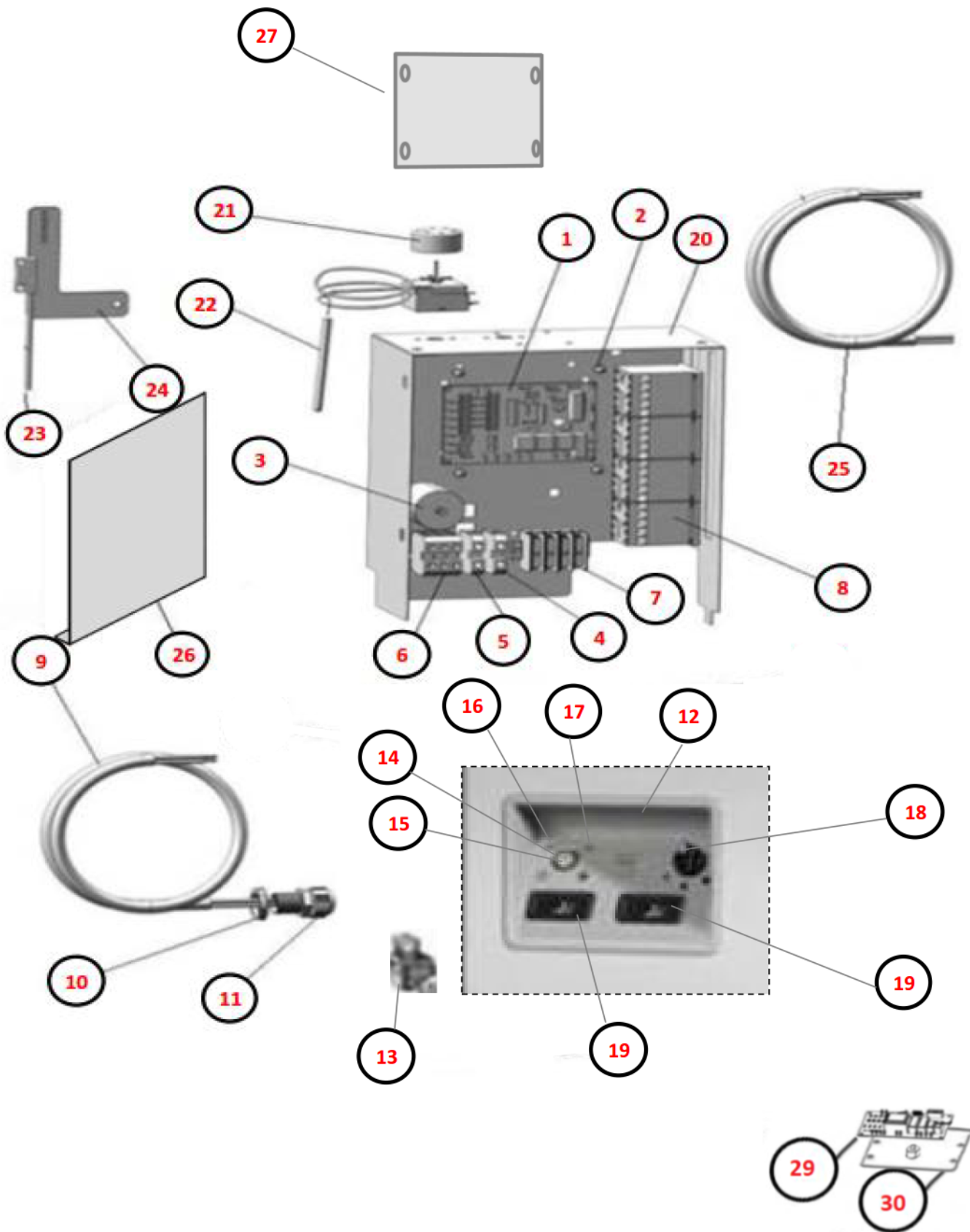








POS	CODE	DESCRIZIONE	DESCRIPTION	NR
1	907169	SCHEDA TRONIC CLONE ELCA	TRONIC BOARD CLONE ELCA	1
2	902193	DISTANZIALE TIMER ELETTRONICO	ELECTRONIC TIMER SPACER	4
3	902107	FILTRO ANTIDISTURBO TRIFASE	THREE-PHASED ANTINOISE FILTER	1
4	TR3178	MORSETTO 3P 16MM PASSANTE UNIVERSALE	CLAMP 3P 16MM UNIVERSAL THROUGH	1
5	904166	MORSETTO 1P 16MM	CLAMP 1P 16MM	1
6	904163	MORSETTO 1P 16MM TERRA	CLAMP 1P 16MM EARTH	1
7	904167	MORSETTO QUADRIPOLARE CON SPALLA	4-POLE CLAMP WITH BRACKET	1
8	907190	TELERUTTORE 9A 230V CON ATTUATORE LOVATO	CONTACTOR 9A WITH ACTUATOR LOVATO	3
9	906788	CAVO ALIMENTAZ. 5X2.5X3500 H07	POWER-SOURCE CABLE 5X2.5X3500 H07	1
10	TR0138	GHIERA PRESSACAVO PG21	FERRULE CAGLE GLAND PG21	1
11	TR0136	PRESSACAVO PG21	CABLE GLAD PG21	1
12	906852	RETROT. N1000-N1300 PPL 2012	BACKPLATE N1000-N1300 PP 2012	1
13	905314	INTERRUTTORE/DEVIATORE 6 FASTON INCLIN.	SWITCH/DIVERTER 6 INCLINED FASTONS	1
14	905345	SUPP. PULS. TONDO Ø25 NERO	ROUND-BUTTON SUPPORT Ø25 BLACK	1
15	905437	TASTO TONDO Ø25 ARGENTO OPACO	ROUND BUTTON Ø25 MATT GRAY	1
16	903711	LAMP. SPIA Ø6 VERDE	GREEN WARNING LIGHT Ø6	1
17	903710	LAMP. SPIA Ø6 ARANCIO	ORANGE WARNING LIGHT Ø6	1
18	909427	SEL. LUM. LEVA BIANCO 3 POS	WHITE-LIGHT LEVER SELECTOR 3 POS	1
19	907090	TERMOMETRO	THERMOMETER	2
20	901446	CASSETTA ELETTRICA CAPOT UNIFICATA	UNIFIED ELECTRIC BOX HOOD TYPE	1
21	903982	MANOPOLA TERMOSTATO 0/90°	THERMOSTAT KNOB 0/90°	1
22	907110	TERMOSTATO BOILER BGM 0/90 1000MM	THERMOSTAT BOILER BGM 0/90 1000MM	1
23	909105	REED MAGNETICO N1000-N1300-LP57	MAGNETIC REED N1000-N1300-LP57	1
24	908504	SQUAD. REED N1000-N1300	BRACKET REED N1000-N1300	1
25	901319	CAVI QUADRO CAPOT.	CABLES FOR ELECTRICAL PANEL HOOD TYPE	1
26	901447	COPERCHIO CASS. ELET. CAPOT UNIFICATA	UNIFIED ELECTRIC-BOX CAP HOOD TYPE	1
27	903623	ISOLATORE SCHEDE 907169	BOARD INSULATOR 907169	1
29	907460	SCHEDA RISCIAQUO SEQUENZIALE	ELECTRONIC BOARD SEQUENTIAL RINSE	1
30	903627	ISOLATORE SCHEDE RISCIAQUO SEQUENZIALE	ISOLATOR SEQUENTIAL RINSE TRONIC BOARD	1



POS	CODE	DESCRIZIONE	DESCRIPTION	NR
1	906620	PESO TUBETTO DET./BRILL.	WEIGHT RINSE PRODUCT/ETERGENT HOSE	2
2	907278	TUBO CRYSTAL ROSSO 4X7	TRASPARENT-RED HOSE 4X7	2
3	902046	TUBO CRYSTAL TRASP. 4X7	TRASPARENT HOSE 4X7	1
4	907279	TUBO SILICONE 4X7	SILICONE HOSE 4X7	1
5	902053	DOSATORE DETERS. PERIST. SEKO SENZA REG.	PERISTALTIC DETERGENT PUMP WITHOUT REGULATOR	1
6	902095	DOSATORE BRILL. PERIST. SEKO SENZA REG.	PERISTALTIC RINSE-PRODUCT PUMP WITHOUT REGULATOR	1
7	952820	SUPP. DOS. PERISTALTICO DOPPIO	DOUBLE PERISTALTIC DOSING PUMP SUPPORT	1
8	906708	RACC. INOX ENTR. DETERSIVO VASCA ANT.	STAINLESS-STEEL FRONT INLET CONNECTION FOR DETERGENT IN TANK	1
9	903253	GUARN. RACC. DOS/SFIATO PS	GASKET DOSING UNIT/AIR VENT JUNCTION	1
10	906010	RONDELLA Ø5 P.	WASHER Ø5 P.	1
11	902030	DADO ATB 5	NUT ATB 5	1
12	902569	FILTRO DOSATORE	DOSING UNIT FILTER	2

